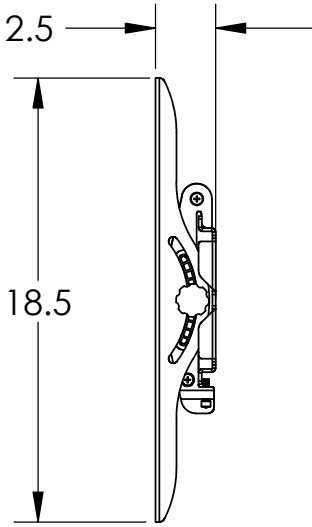
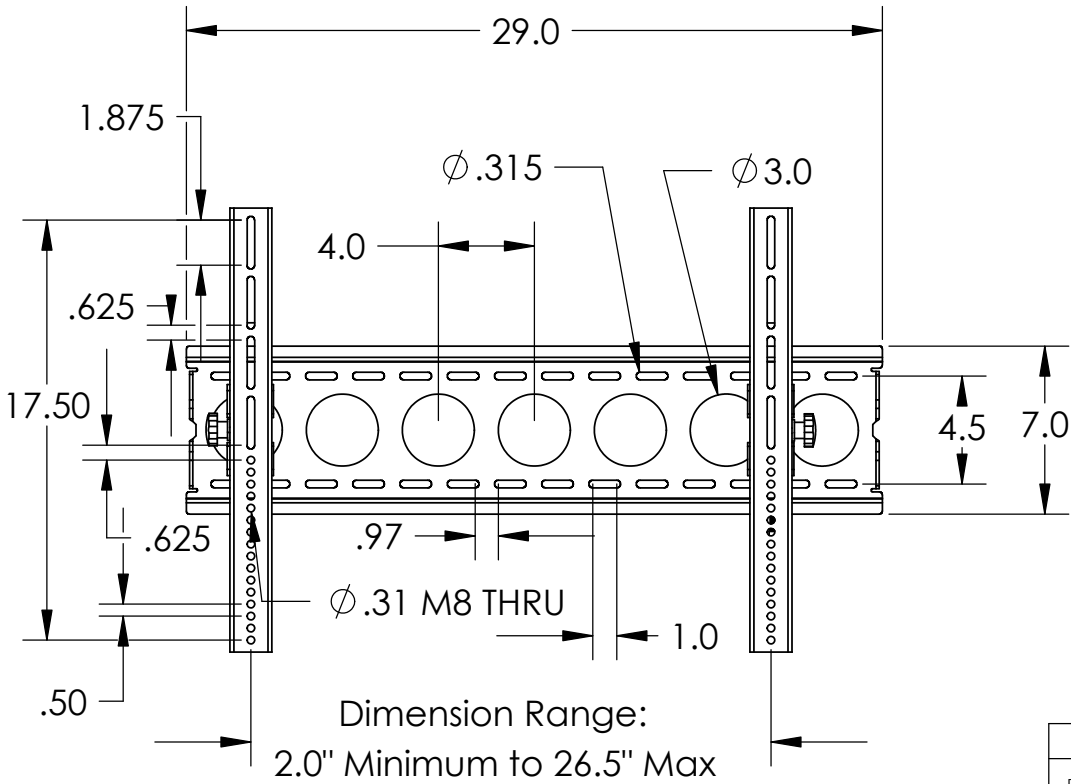
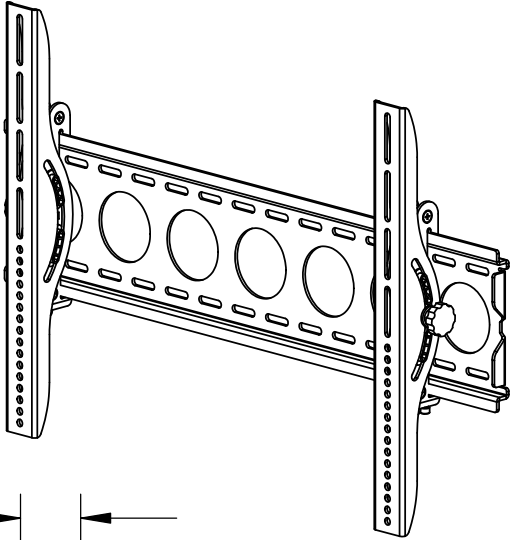


Maximum Weight Capacity: 130 lbs.



	NAME	DATE	SANUS SYSTEMS	
DRAWN	NAS	11/14/05		
CHECKED			TITLE: VMPL50	
ENG APPR.				
MFG APPR.				
Q.A.				
<p>PROPRIETARY AND CONFIDENTIAL THE INFORMATION CONTAINED IN THIS DRAWING IS THE SOLE PROPERTY OF SANUS SYSTEMS. ANY REPRODUCTION IN PART OR AS A WHOLE WITHOUT THE WRITTEN PERMISSION OF SANUS SYSTEMS IS PROHIBITED.</p>			Tilt Wall Mount	
			SCALE: 1:3	SHEET 1 OF 1